

SOLDERPLUG DETAIL
SCALE 2X

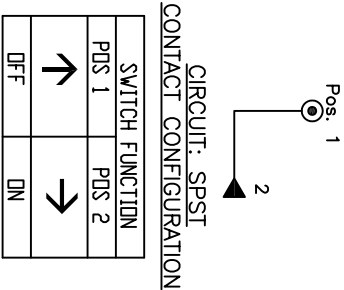


NOTES:

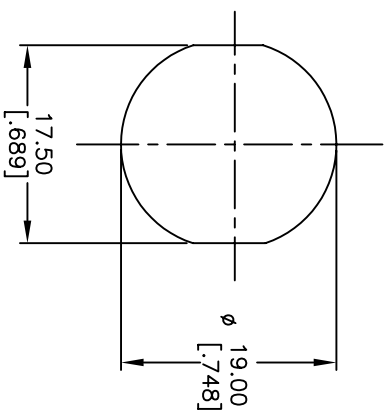
1. ALL DIMENSIONS IN MM [INCH]
2. GENERAL TOLERANCE: X.X=±0.4
X.XX=±0.25
3. TERM. NOS. FOR REFERENCE ONLY.
4. RATING: 4A @125VAC, 2A @250VAC
5. CONTACT RESISTANCE: 10mILLI-OHMS
6. DIELECTRIC STRENGTH: 1500 VAC-1Minute
7. INSULATION RESISTANCE: 500 Mega-OHMS
8. MATERIALS:
HOUSING: ZINC ALLOY DIE CAST
CYLINDER: ZINC ALLOY W/CHROME PLATING
TERMINAL AND CONTACTS: SILVER PLATED
TUMBLER: 5 DISC MECHANISM W/DUST SHUTTER
KEYS 125 (2): BRASS W/NICKEL PLATING
DOUBLE CUT REVERSIBLE
9. 2002/95/EC (ROHS) COMPLIANT

LEGEND

- ▲ = INDICATE MOMENTARY
- ⊙ = INDICATES KEY PULL POSSIBLE



RECOMMENDED PANEL CUTOUT



REV.	ECN No.	DESCRIPTION	DATE	CHKD
B	17142	FIXED LENGTH, NOTES	3/28/07	TN
A	13794	RELEASED FOR PRODUCTION	2/20/04	AR

SCALE	DATE	DR	DWG	REV
1.5:1	3/28/07	TN	K200123	B



K0119C-125

THE INFORMATION CONTAINED IN THIS DOCUMENT IS PROPRIETARY TO E-SWITCH AND IS NOT TO BE COPIED OR TRANSMITTED